

Pitch: .050" X .100"

HIGH DENSITY IDT SCSI PLUG

SPECIFICATIONS

Meets: SCSI III Standard

ENVIRONMENTAL

Temperature Range: -55°C to +105°C

MECHANICAL

Insulator Material: Glass-filled polyester, white, UL94V-0

Contact Material: Phosphor Bronze

Contact Plating: Mating Area: 30µ IN gold

Terminates To: .025" cable, 31 & 32 AWG

ELECTRICAL

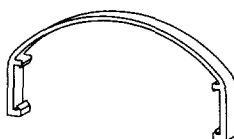
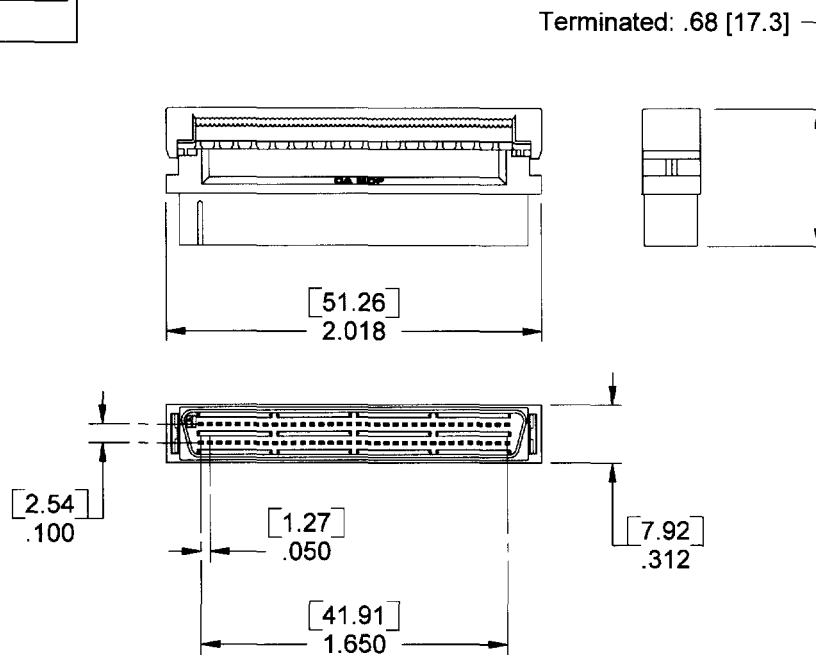
Current Rating: 0.5 AMP

CA-68MDP-F-32- OPTION

ACCESSORY OPTIONS	
SR = Strain Relief	
LSR = Latching Strain Relief	
PL = Pull Leash	



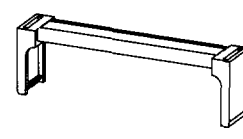
Proprietary IDT Design
Patent Pending



Pull Leash
PL68MDP
Black



Latching Strain Relief
LSR68MDP
Black



Strain Relief
SR68MDP
Black

Drawing Number CA-620368



For more information please contact our customer service department or visit our website at circuitassembly.com